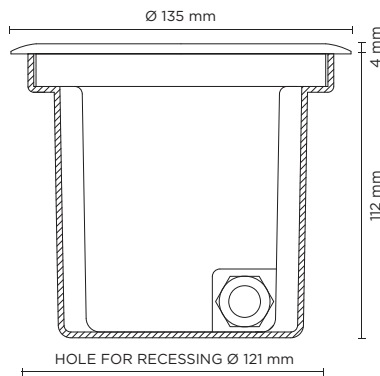




201017P

HYDROFLOOR MINI ROUND GU10

Round ground-recessed luminaire for outdoor installation, Phospho-chromatised and polyester powder coated die-cast copper-free aluminium body and stainless steel AISI 304 frame, tempered safety glass, moulded silicone gasket. GU10 LED / halogen. IP67 rating.



Technical features



Technical data

| | |
|--------------------------|--|
| Wattage | 35 WATT MAX |
| IP Rating | IP67 |
| IK Rating | IK10 |
| Material | High corrosion resistance die-cast copper-free aluminum body |
| Ring | Stainless steel AISI 304 |
| Coating | Polyester powder coating with phosphochromating pre-finish |
| Light source | GU10 base, MAX 35W |
| Screws | Stainless steel |
| Static weight resistance | Max 5000 Kg |
| Gasket | Silicone rubber |
| Glass | Tempered |
| Cable gland | M20 |
| Optional | Fully frosted glass available on request. |
| Gross weight | 1,20 Kg |
| Included | Polypropilene recessing box |

201018P Floor compact square GU10



| light source | light color | light beam options |
|--------------------|-------------------|--------------------|
| GU10 LED / HALOGEN | SEE BULB FEATURES | SEE BULB FEATURES |

Finish color options:

 Stainless Steel (on request)